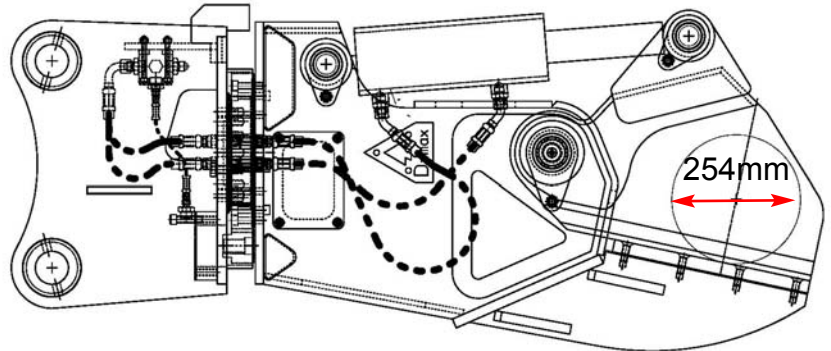




Rota-Limb-Shears 254mm

for Excavators, Front Loader
Backhoes and Telehandlers



The Dymax Rota-Limb-Shear with
180 degrees of hydraulic rotation.

Dymax Rota-Limb-Shears are built to withstand tough applications and are backed by the best service and support in the industry.

Dymax Rota-Limb-Shears provide up to 254mm diameter cutting capacity.

Dymax Rota-Limb-Shears are available for for skid steer loaders, hydraulic excavators, front end loaders, loader backhoes and telehandlers. Available to pin directly to the machines or can be equipped with coupler hooks to work with a variety of quick coupler systems.

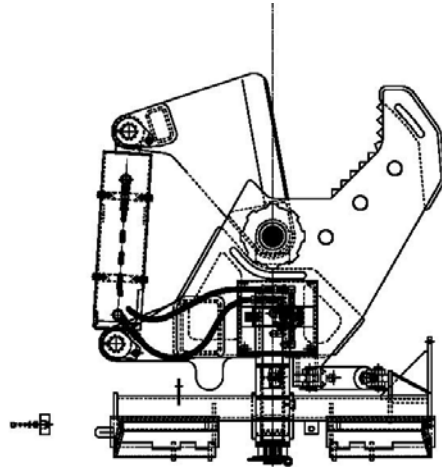
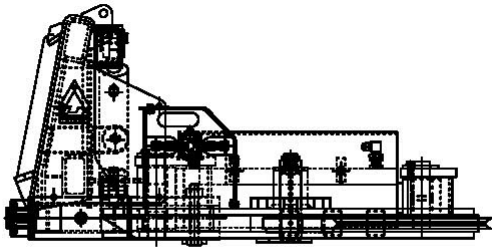
The Dymax Rota-Limb-Shear features 180 degrees of hydraulic rotation. Features heavy duty slewing ring, pinion and motor drive. Supplied with diverter valve for operating rotation sequence.

Ideal for reaching into tight areas. Great for working around power lines and general right-of-way maintenance.

Shearing cylinders (hydraulics) are rated at 20700 or 24115 kPa. Actual pressure is subject to model and machine carrier.

Contact **Practicality Brown Ltd.** UK Distributor for more information
Tel: 01295 690011

**Dymax Rotashear
355.6mm**



Dymax Rota-Shears are built to withstand tough applications and are backed by the best service and support in the industry.

Dymax Rota-Shears provide up to 355.6mm diameter cutting capacity and are powered by a 152.4mm cylinder rated 20400kPa.

Dymax Rota-Shears are ideal for clearing standing vegetation or can be rotated 110 degrees for cutting firewood and limbs.

Available for skid steer loaders, excavators, wheel loaders and telehandlers. Can be setup as direct mount pin on models or equipped with coupler hooks.

Features near ground level cutting (leaves small 38mm stumps). Optional sprayer systems available.

Materials and specifications subject to change without notice.



Practicality Brown Ltd, Iver Stud, Iver, Bucks SL0 9LA United Kingdom
Tel: 01295 690011 www.treeshears.co.uk sales@treeshears.co.uk

Form No. RotashearUK(9-08)