



14" Forestry Timberwolf Tree Shear with hydraulic rotation

for Hydraulic Excavators



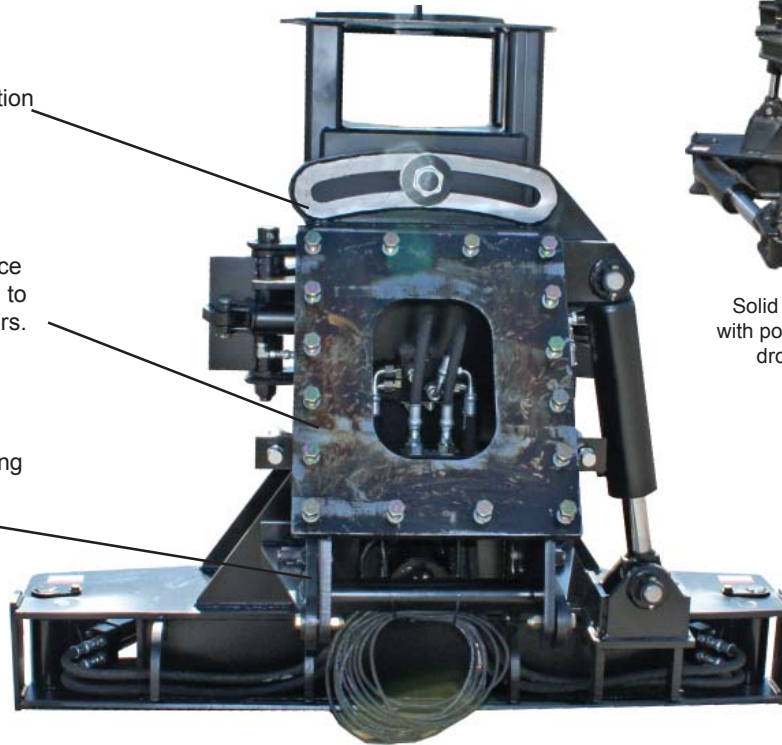
- The **Dymax 14" Forestry Timberwolf Tree Shear with hydraulic rotation** gives excavator operators more flexibility than ever before.
- **Dymax 14" Forestry Timberwolf Tree Shear with hydraulic rotation** features dual grapple arms that allow operators to hold the trees and place into collective piles. Powerful cast shear arms paired with 25mm AR400 shear knives yield superb cutting results to softwood and hardwood species.
- Total hydraulic rotation of 30 degrees and allows operators to maneuver shear in congested work sites. (models are provided with 24v diverter valve kit for operation of rotation circuit) Machine only requires 1 two way function.
- Shearing cylinder is rated at 206.85 bar and optimum results will be obtained near those levels. Do not exceed 220 bar.
- Models are available with bolt on bracket groups to allow you interchangeability between machine brands or supplied with specified machine bracketry to work with pin grab couplers or pin directly to the stick.
- Contact **Practicality Brown Ltd. UK Distributor for more information**
Tel: 01295 690011

14" Forestry Tree Shear with Rotation

Features hydraulic rotation
side to side (tilt)

Bolt on bracket interface
allows easy adaptation to
fit an array of excavators.

Features manual locking
leg stands.



Solid cast shear arms paired
with powerful shearing cylinders
drops trees in seconds.

Specifications

14" Forestry Timberwolf Tree Shear with hydraulic rotation	
CYLINDER INFORMATION	SPECIFICATIONS
Shear arm cylinder (bore x stroke x rod) flow and pressures (GPM, PSI) (LPM, Bar)	(5.00 x 10.00 x 3.00) (20-40GPM, 3000psi) (75-150 , 206.85)
Grapple arm cylinder (bore x stroke x rod) flow and pressures (GPM, PSI) (LPM, Bar)	(20-40GPM, 3000psi) (75-150 , 206.85)
Rotation cylinder (bore x stroke x rod) flow and pressures (GPM, PSI) (LPM, Bar)	(5-8GPM, 2500-3000psi) (18-30, 206.85)
Width (in.) mm	(68.00) 1727.2
Height (in.) mm	(62.00) 1574.0
Depth (in.) mm	(62.00) 1574.0
Weight (lbs) kg	(2900) 1315

Materials and specifications subject to change without notice.



Practicality Brown Ltd, Iver Stud, Iver, Bucks S10 9LA United Kingdom
Tel: 01295 690011 www.treeshears.co.uk sales@treeshears.co.uk

Form 8190UK (10-09)